

Technical Datasheet

Pneumatic / Manual Actuator
NF26030

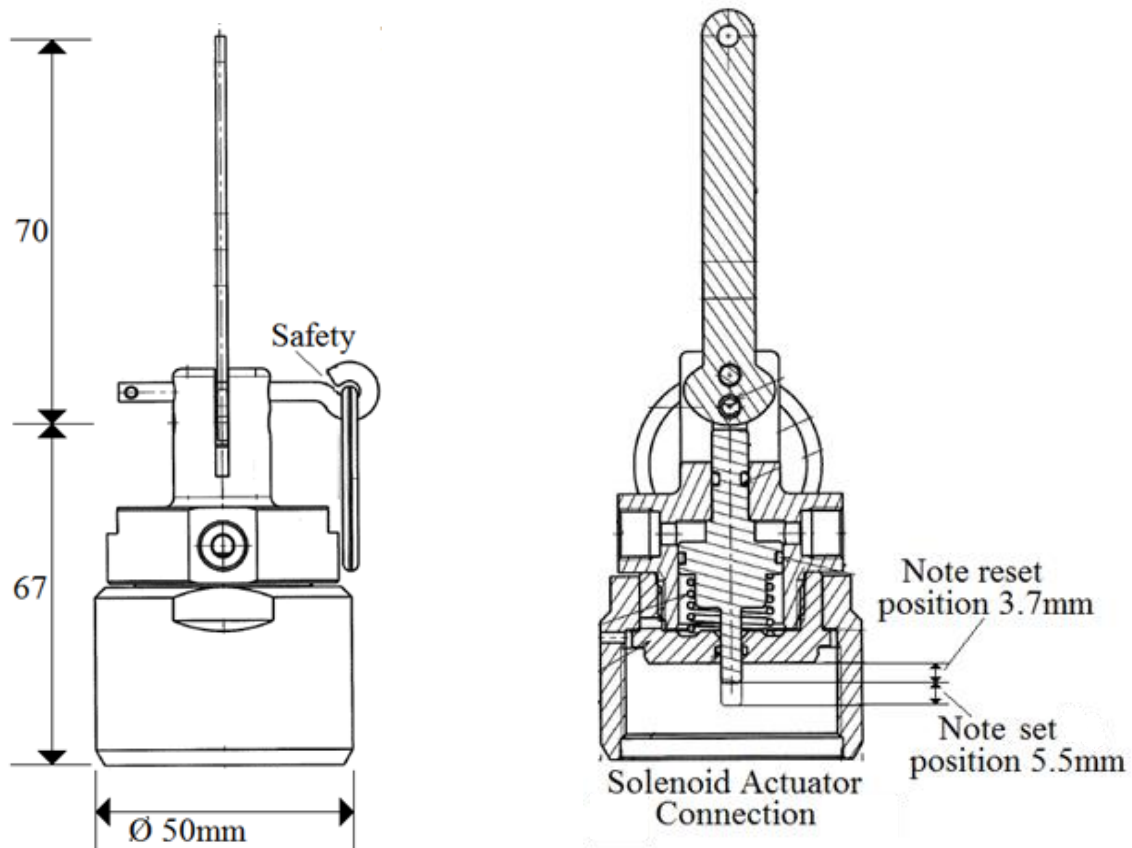
FSL 1230™



Pneumatic / Manual Actuator • FSL Chemical gas systems

designed for use with

Clean Agent Chemical Gaseous Suppression Systems



- Manual Actuation Force <150N
- Working Temperature -20°C to 50°C
- Minimum actuation pressure 21 Bar
- Connect the tripping mechanism to the valve using the M42 x 1.5 connecting thread with a torque of 50+0/-15 Nm. Screw fully down
- Connect the Pilot line using the G1/8" with PTFE tape
- To use only in combination with a solenoid actuator
- Refer to FSL 1230™ Manual before assembling to system