

# Technical Datasheet

Container Valve Pressure Switch  
Part Number: NF2850\*4

## FSL 1230™



### Container Valve Pressure Switch (standard) • FSL Chemical gas systems

*designed for use with*

### Clean Agent Chemical Gaseous Suppression Systems

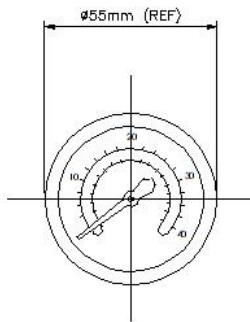
#### Container Valve Pressure Switch 42bar NF285024

The pressure gauge incorporating low pressure switch is connected to the cylinder valve via the M10 x 1 port. An optional M10 x 1 port is provided on the other side of the valve so when the cylinder is bracketed to the wall the valve outlet can be positioned in either direction. Ensure the unused port is sealed with a blanking plug.

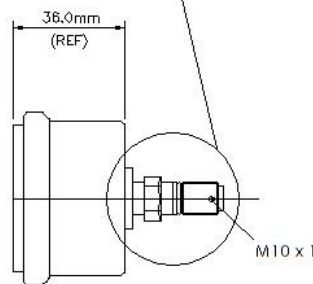
When fitting the pressure gauge screw it into the port until it stops (finger tight) and then turn back if necessary for a maximum of one revolution for correct orientation of the gauge dial.

Before screwing in the gauge check to see that the 'O'-ring seal and back-up ring are not damaged. If 'O' ring replacement is required note the installation diagram (Detail A) shown here.

The gauge can be mounted and removed with the valve pressurized.



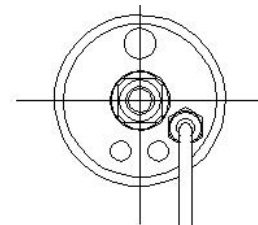
FRONT ELEVATION N.T.S.



SIDE VIEW N.T.S.

#### TECHNICAL SPECIFICATION

Prange = 0 – 60 bar  
Pswitch = 38 bar + 0.9bar  
U = 4.5 – 24VDC/VAC  
I = 5 – 100 mA  
Pmax = 2.4W



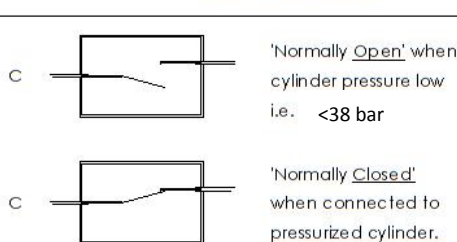
REAR VIEW N.T.S.

red black

#### Kentec Sigma XT

Event	Message	Fault	Alarm
Switch Open	Exting Press Fault	Fault Light	Buzzer
Short Circuit A	Low Press I/P Fault	Fault Light	Buzzer
Open Circuit B	Low Press I/P Fault	Fault Light	Buzzer

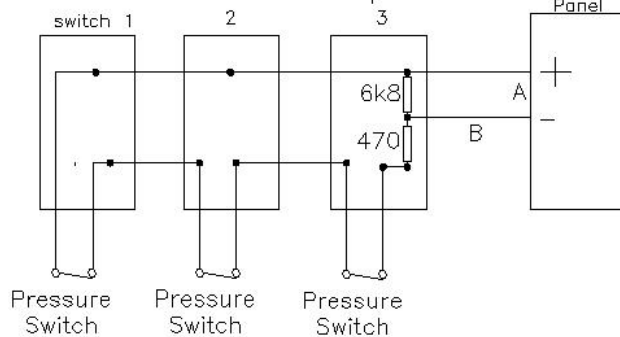
#### WIRING INFORMATION



Above 38 Bar switch is 'Normally Closed'. (Correctly pressurized cylinder 42 bar).

If cylinder pressure drops below 38 bar the switch opens and the circuit is broken. Minimum 38 Bar is required to keep switch closed and maintain monitoring circuit.

#### Shown all containers above pressure



#### For Kentec Panel:

- Low pressure switch input 'Inverted' on panel.
- Circuit Valid For Sigma XT+Series 21000 Other panels may Vary.

# Technical Datasheet

Container Valve Pressure Switch  
Part Number: NF2850\*4

# FSL 1230™



## Container Valve Pressure Switch 42bar NF285014 (special order)

The pressure gauge incorporating low pressure switch is connected to the cylinder valve via the M10 x 1 port. An optional M10 x 1 port is provided on the other side of the valve so when the cylinder is bracketed to the wall the valve outlet can be positioned in either direction. Ensure the unused port is sealed with a blanking plug.

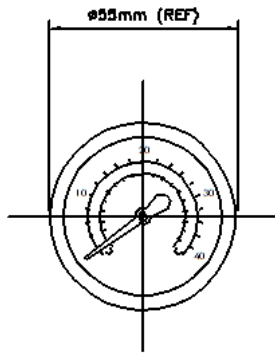
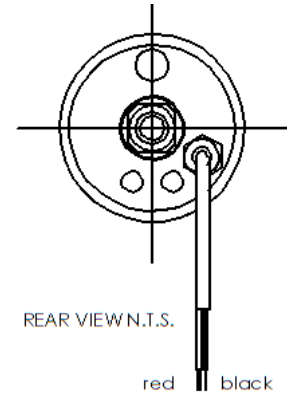
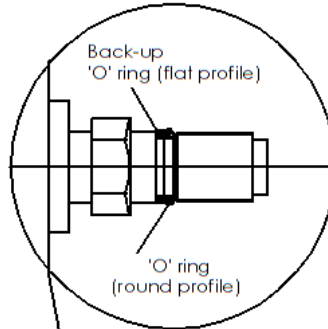
When fitting the pressure gauge screw it into the port until it stops (finger tight) and then turn back if necessary for a maximum of one revolution for correct orientation of the gauge dial.

Before screwing in the gauge check to see that the 'O'-ring seal and back-up ring are not damaged. If 'O' ring replacement is required note the installation diagram (Detail A) shown here.

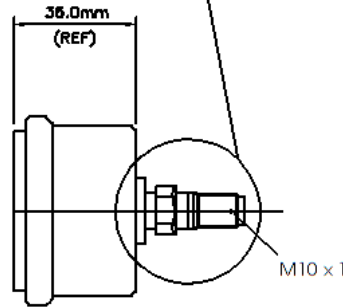
The gauge can be mounted and removed with the valve pressurized.

### TECHNICAL SPECIFICATION

Prange = 0 – 60 bar  
Pswitch = 38 bar + 0.9bar  
U = 4.5 – 24VDC/VAC  
I = 5 – 100 mA  
Pmax = 2.4W



FRONT ELEVATION N.T.S.

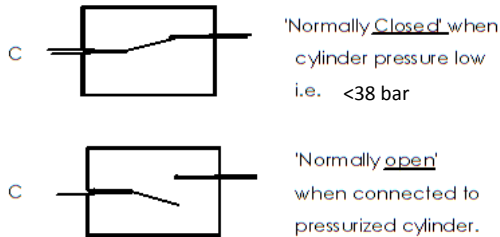


SIDE VIEW N.T.S.

### Kentec Sigma XT

Event	Message	Fault	Alarm
Switch Closes	Low Press I/P Fault	Fault Light	Buzzer
Short Circuit A	Low Press I/P Fault	Fault Light	Buzzer
Open Circuit B	Low Press I/P Fault	Fault Light	Buzzer

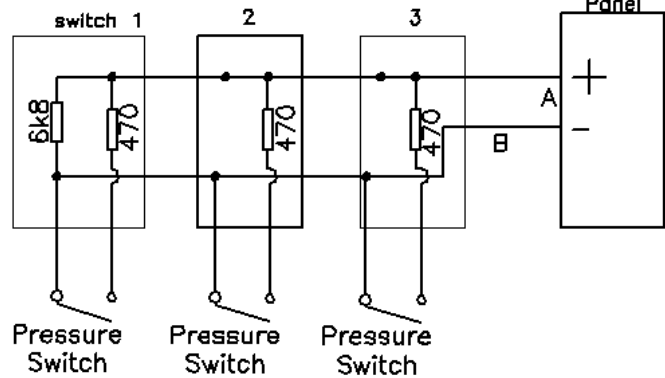
### WIRING INFORMATION



Above 38 Bar switch is 'Normally Open'. (Correctly pressurized cylinder 42 bar).

If cylinder pressure drops below 38 bar the switch Closes and the circuit is Completed. Minimum 38 Bar is required to keep switch Open and maintain monitoring circuit.

### Shown all containers above pressure



### For Kentec Panel:

- Low pressure switch input 'normal' on panel.
- Circuit Valid For Sigma XT+Series 21000 Other panels may Vary.