

Technical Datasheet

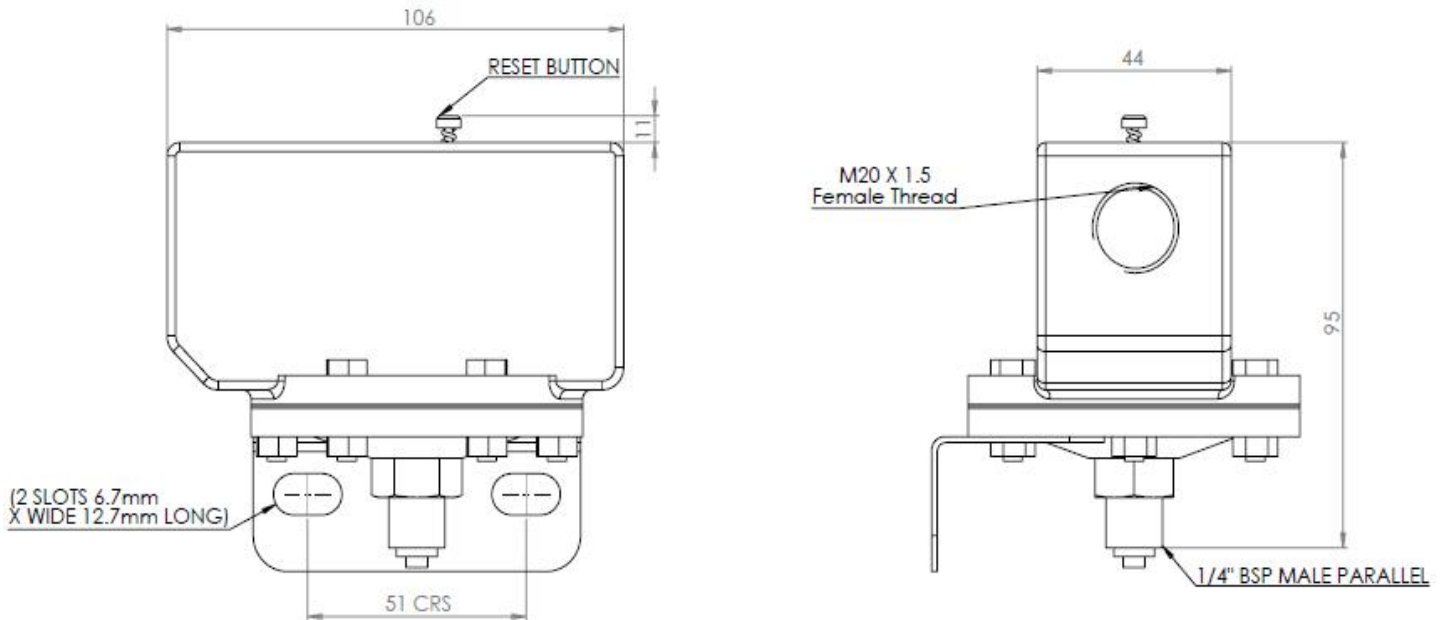
Discharge Pressure Switch
NF280210A



Discharge Pressure Switch (inc. Hose) • FSL Chemical gas system

designed for use with

Clean Agent Chemical Gaseous Suppression Systems



Discharge pressure switch kit NF280210A

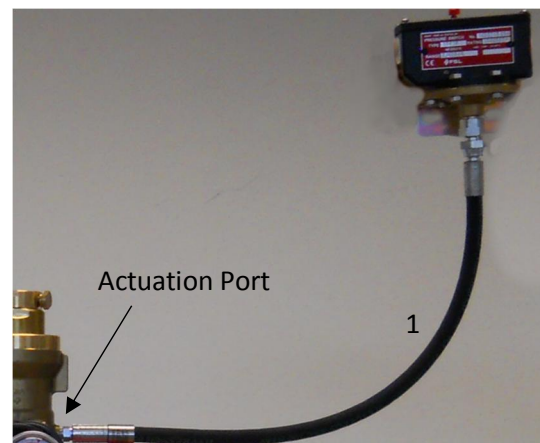
Use to confirm the discharge of a system. The switch is wall mounted and connected to either the actuation port on the discharge valve, the discharge manifold or discharge pipe work using the discharge pressure switch hose NF280211.

Discharge Pressure Switch Specification: (NF280210)

Pressure connection	G1/4" (1/4" BSP male parallel)
Material wetted parts	Brass with beryllium copper diaphragm
Switch housing	Connection M20x1.5. Ingress protected to IP65
Electrical	SPDT Microswitch 10A 250V 50Hz, 1A 30V dc inductive loads
Set pressure	2 bar rising. Latching manual reset by top mounted button
Mounting bracket	Included

(1) Discharge pressure switch hose (NF280211):

Hose Length:	560mm
Hose Connection Thread:	1/8" BSPT



Technical Datasheet

Discharge Pressure Switch

NF280210A



Installation Instructions

- All installation and maintenance should be carried out by a competent electrician with the pressure switch electrically isolated.
- Do not exceed the electrical rating given on the label.
- Check that the pressure connection correctly matches that of the pipe work.
- Before removing pressure switch from the pipe work, manifold or discharge valve ensure that there is NO pressure in the system.
- When fitting the pressure switch to the pipe work, manifold or discharge valve use the correct sealing methods.
- Ensure that the pressure switch set-point is correct before use.
- Ambient and process temperatures acting on the pressure switch should be within -10°C to $+85^{\circ}\text{C}$.
- Line pressure must not exceed the line pressure stated on the pressure switch label.
- Press Red Reset button after use.
- If in doubt concerning the application of any pressure switch please contact our Technical Department who will advise you accordingly.

DO NOT USE For hazardous areas. Flameproof pressure switches or intrinsically safe electrical circuits must be used.

