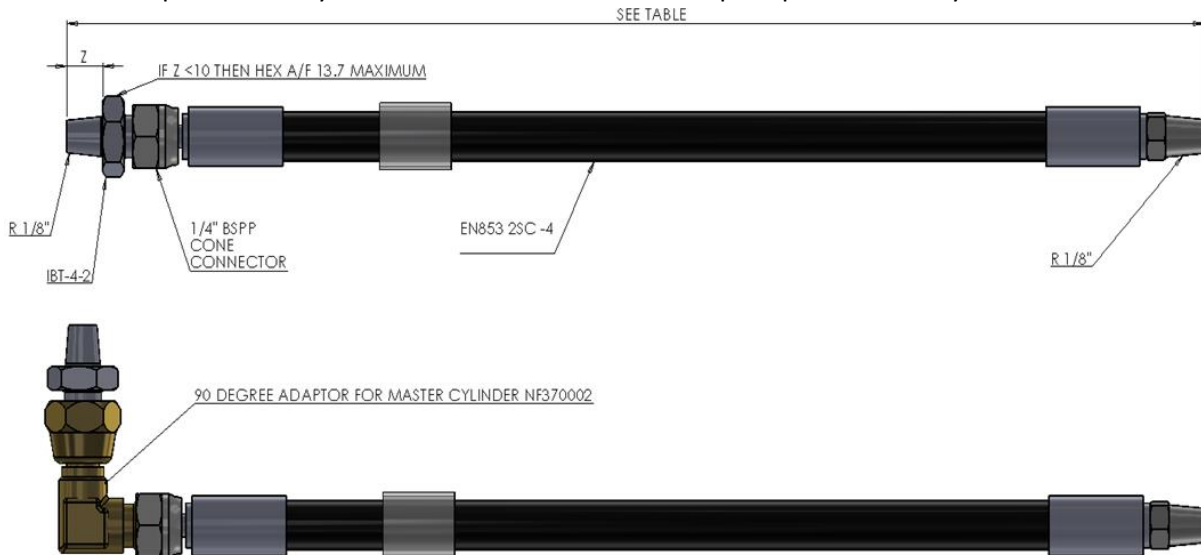


Actuation Hose & Adapter • Inertech

designed for use with

FSL Inert Clean Agent Gaseous Suppression Systems

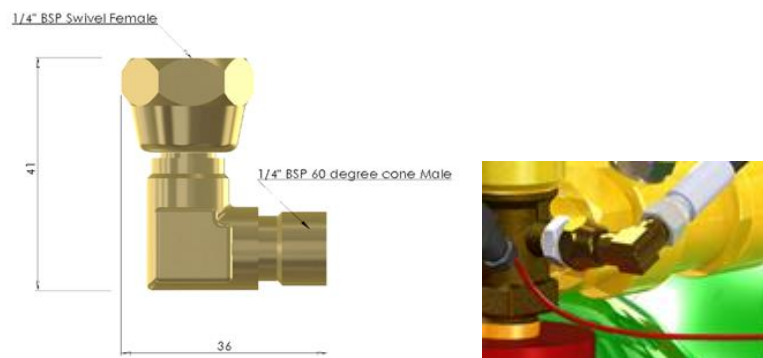
The hose connects pneumatically the actuators installed on the top of quick-release cylinder valves.



Part number	Length, mm	Description	Minimum bending radius, mm
NF370350	350mm	INERTECH [®] 350	60mm
NF370450	450mm	INERTECH [®] 450	
NF370600	600mm	INERTECH [®] 600	
NF370351		INERTECH [®] 350 + adaptor	
NF370451		INERTECH [®] 450 + adaptor	
NF370601		INERTECH [®] 600 + adaptor	

The working pressure of the hoses is 380bar

90 degree adaptor connecting the master cylinder valve to the slave/master cylinder valve.



90 degree adaptor connecting the master cylinder valve to the slave/master cylinder valve.