

# Technical Datasheet

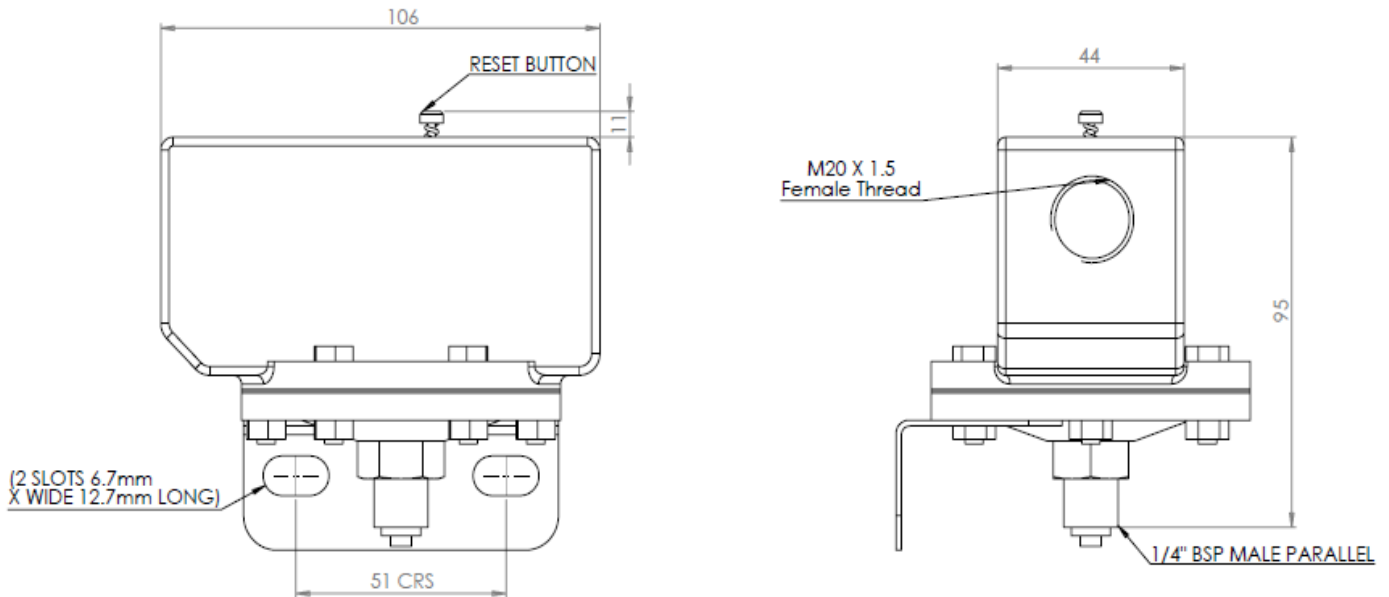
Discharge Pressure Switch  
NF380210A



## Discharge Pressure Switch (inc. Hose) • Inertech

*designed for use with*

**FSL Inert Clean Agent Gaseous Suppression Systems**



### Discharge pressure switch kit (NF380210A)

Use to confirm the discharge of a system. The switch is wall mounted and connected to either to the discharge manifold, via the DN50 manifold end cap with 1/4" DPS connection (NF335650A) or discharge pipe work downstream of the discharge hose or selector valve, depending of set-up, using the discharge pressure switch hose.

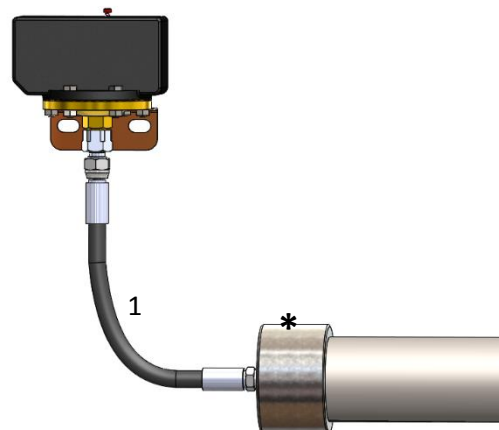
#### Discharge Pressure Switch Specification: (NF380210)

Pressure connection	G1/4" (1/4" BSP male parallel)
Material wetted parts	Brass with beryllium copper diaphragm
Switch housing	Connection M20x1.5. Ingress protected to IP65
Electrical	SPDT Micro switch 10A 250V 50Hz, 1A 30V dc inductive loads
Set pressure	2 bar rising. Latching manual reset by top mounted button
Mounting bracket	Included
Over Load Protected	70 Bar

#### (1) Discharge Pressure Switch Hose (NF380211)

Hose Length:	560mm
Hose Connection Thread:	1/4" BSPT

\* = DN50 manifold end cap sold separately (NF335650A)



Date: 18/02/16

Revision: A

Checked by: DW

# Technical Datasheet

Discharge Pressure Switch

NF380210A

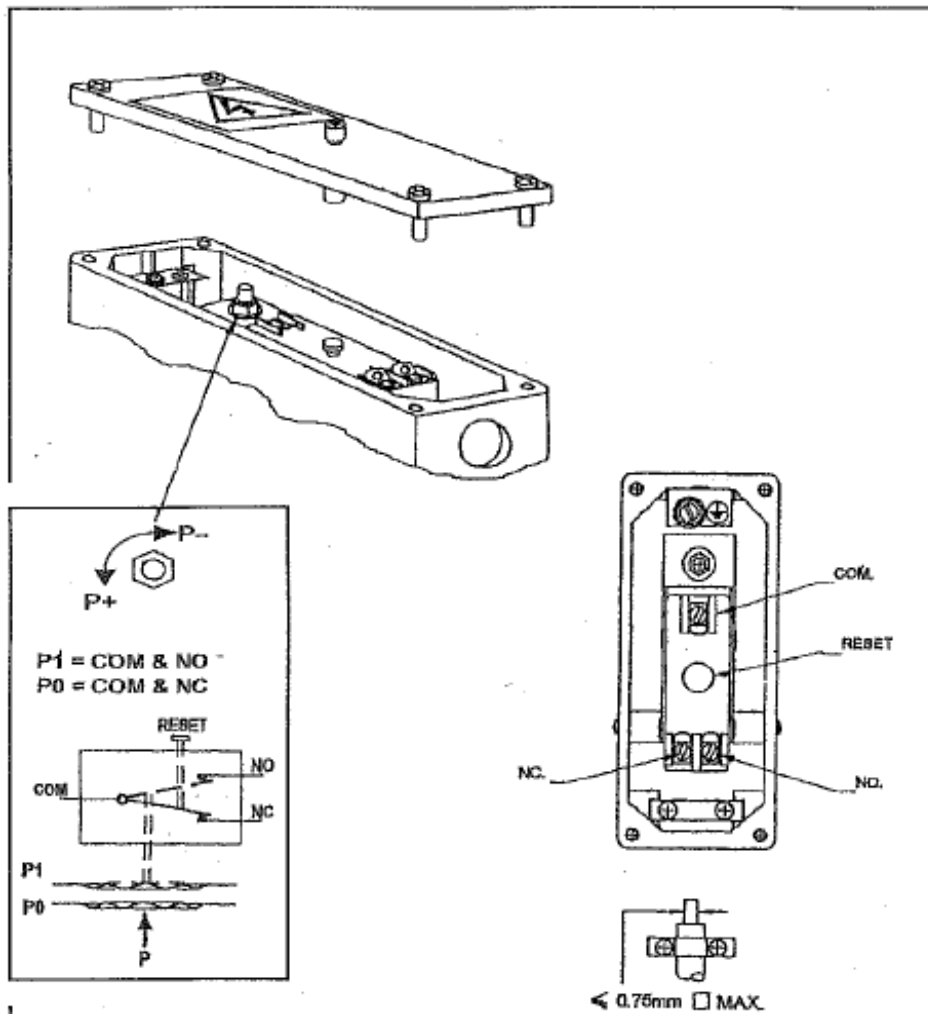


## Installation Instructions

- All installation and maintenance should be carried out by a competent electrician with the pressure switch electrically isolated.
- Do not exceed the electrical rating given on the label.
- Check that the pressure connection correctly matches that of the pipe work.
- Before removing pressure switch from the pipe work, manifold or discharge valve ensure that there is NO pressure in the system.
- When fitting the pressure switch to the pipe work, manifold or discharge valve use the correct sealing methods.
- Ensure that the pressure switch set-point is correct before use.
- Ambient and process temperatures acting on the pressure switch should be within  $-10^{\circ}\text{C}$  to  $+85^{\circ}\text{C}$ .
- Line pressure must not exceed the line pressure stated on the pressure switch label.
- Press Red Reset button after use.
- If in doubt concerning the application of any pressure switch please contact our Technical Department who will advise you accordingly.

**NOTE: MUST NOT be connected to the Inertech 200 / 300 bar cylinder valve.**

DO NOT USE For hazardous areas. Flameproof pressure switches or intrinsically safe electrical circuits must be used.



Date: 18/02/16

Revision: A

Checked by: DW