

Technical Datasheet

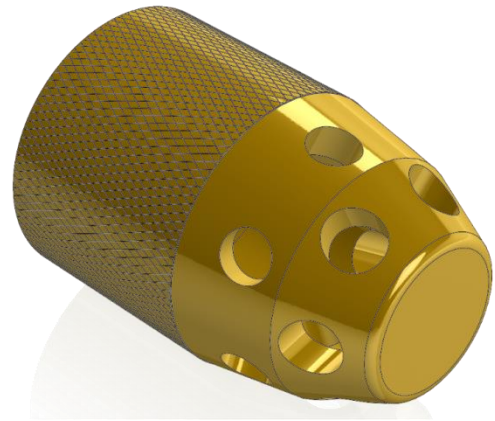
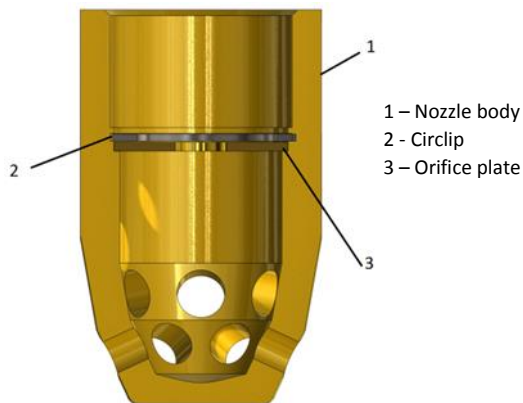
Discharge Nozzle
Multiple Part Numbers



Discharge Nozzle • Inertech

designed for use with

FSL Inert Clean Agent Gaseous Suppression Systems



Part Number	Description	Size*	DN	Height, mm	Orifice Size, mm
NF35151/N	Inert gas nozzle/Orifice DN15	½	15	44	1.6 – 10
NF35201/N	Inert gas nozzle/Orifice DN20	¾	20	55	7 – 14
NF35251/N	Inert gas nozzle/Orifice DN25	1	25	67	10 – 18
NF35321/N	Inert gas nozzle/Orifice DN32	1 ¼	32	82	12 – 23
NF35401/N	Inert gas nozzle/Orifice DN40	1 ½	40	93	15 - 26

Connection thread: Rp* to ISO 7-1 EN10226-1 or option for NPT available upon request

For orifice diameters less than 3.0mm fit nozzle filter NF35159 between Orifice Disc and Circlip.

Material: Brass/ stainless steel (St.St. to special order)
Identification: Part number and orifice diameter on nozzle body

Maximum working pressure: 60 Bar
Suitable for indoor applications
Fit using PTFE tape
Visually check every 6 months for blockages, damages or corrosion

Date: 18/05/18

Revision: A

Checked by: DW