

# Technical Datasheet

FSL Inertech System - Low Noise Nozzle  
NF351515 NF352515 NF354015



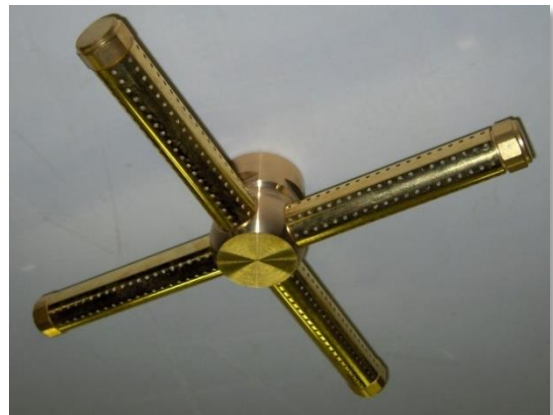
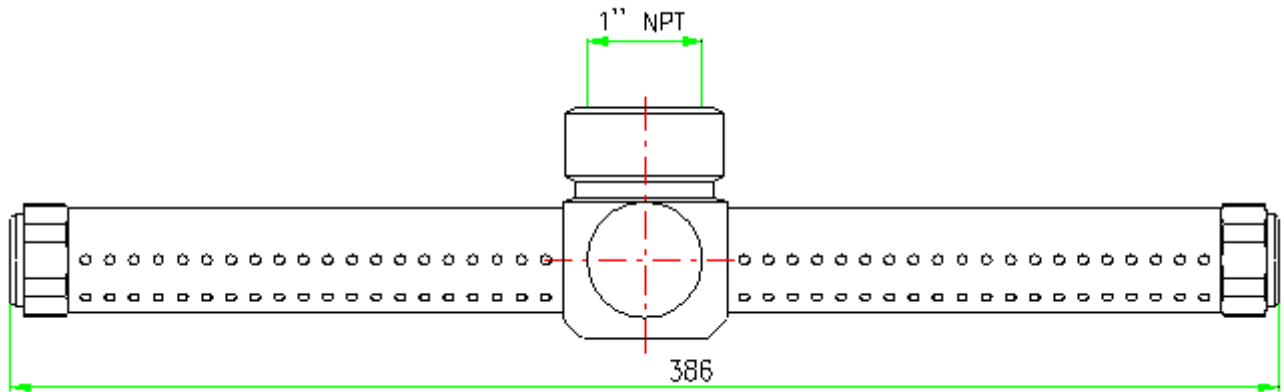
## Low Noise Nozzle • Inertech

*designed for use with*

**FSL Inert Clean Agent Gaseous Suppression Systems**

### Description

Low noise nozzles are designed to discharge the Inert gases in a uniform configuration and reduce air turbulence and noise in the enclosure to less than 110dB. The low noise nozzles are available in either a ½" (NF351515), 1" (NF352515) or 1 ½" (NF354015) sizes.



Part Number	Thread	Material	Orifice Range
NF351515	½" NPTF	Brass	3mm – 9mm
NF352515	1" NPTF	Brass	8mm – 18mm
NF354015	1 1/2 " NPTF	Brass	16mm – 27mm

Date: 17/10/16

Revision: A

Checked by: DW