

Technical Datasheet

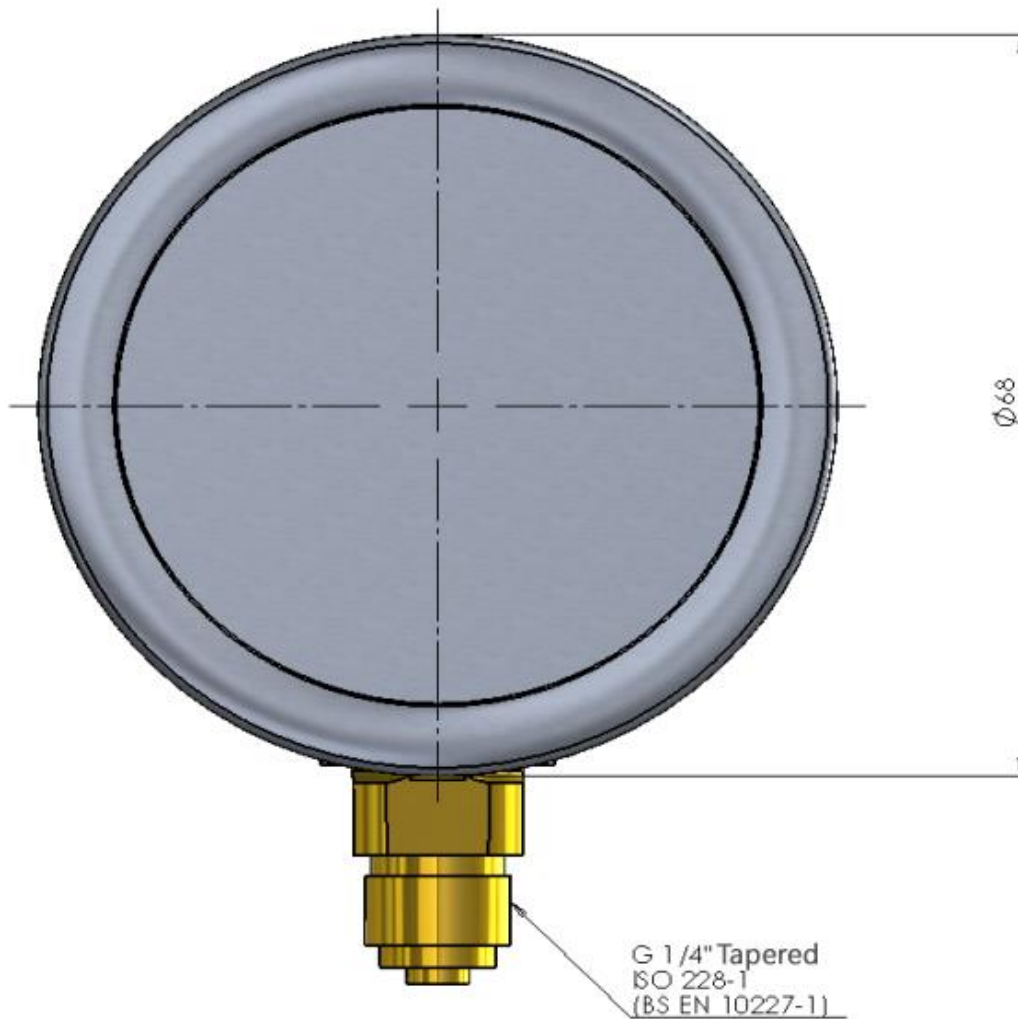
Manifold Pressure Gauge
NF386810



Manifold Pressure Gauge • Inertech

designed for use with

FSL Inert Clean Agent Gaseous Suppression Systems



To indicate the pressure in the manifold in the event of overpressure
Displays 0-100 bar
1/4" BSP connection to manifold

Date: 07/05/14

Revision: A

Checked by: DW