

# Technical Datasheet

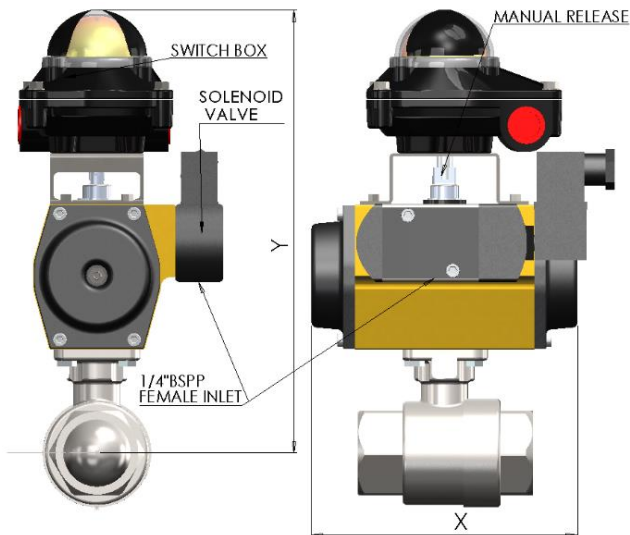
Selector Valve System  
NF340XX



## Selector Valve System • Inertech

designed for use with

**FSL Inert Clean Agent Gaseous Suppression Systems**



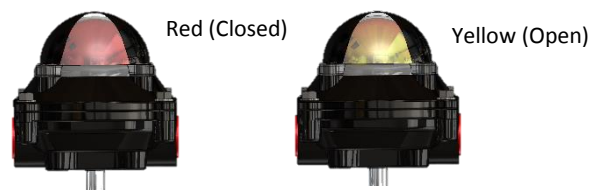
Selector valve assembly layout and tech details (# can be offered as ANSI B16.5 600LB Steel Pipe Flanges, Raised Face)

Part Number	Ball Valve Size	Dim, mm	Weight, Kg
NF34015*	DN15	65	2.1
NF34020*	DN20	74.5	2.4
NF34025*	ND25	88.5	2.6
NF34032*	DN32	102	3.6
NF34040*	DN40	110	4.1
NF34050*	DN50	125	6.2
NF34065M	DN65#		
NF34080M	DN80#		
NF34100M	DN100#	390	31.7

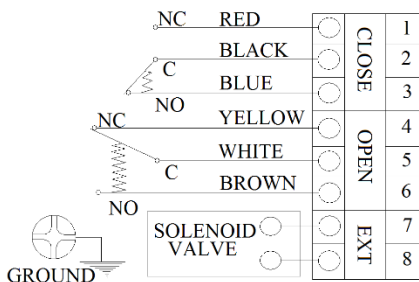
- Threaded Rp to DN100 or \* = NPT to DN50
- Ball Valve working pressure 60 Bar
- Actuator Working Pressure maximum 7 Bar, minimum 6 Bar
- Mounted Solenoid Valve to Select valve for actuation
- On/Off switch/indicator on top displays the valve position visually and electronically through panel
- Manual over ride connection as shown above. Lever supplied for reset & must be reset using spanner provided.



Position Indicator (SWBOX)



SWBOX in closed position and open position



### Open/Closed switch wire diagram (SWBOX)

Remove the cover to access the contacts.  
Contacts 1, 2 and 3 confirm valve is in the closed position.  
Contacts 4, 5 and 6 confirm back to the control panel that the valve is fully open. Contacts 7 and 8 are unused.

Date: 01/05/14

Revision: A

Checked by: DW

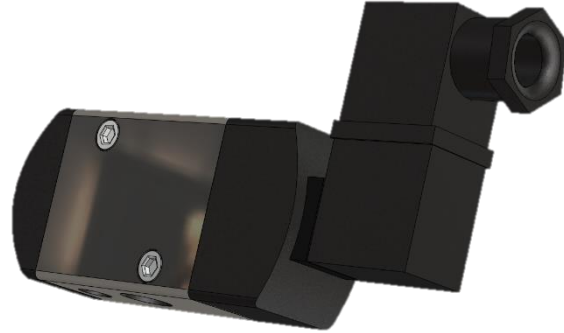
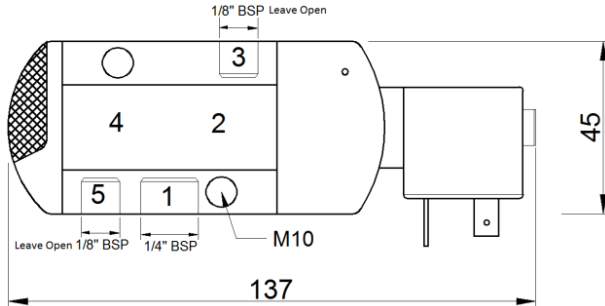
# Technical Datasheet

Selector Valve System  
NF340XX



## Inert – Solenoid Valve

DO NOT remove from the selector valve actuator



Supply the 24V constantly to maintain ball valve open condition; it must receive 24 volts for 1.5 times the discharge time

Operation	Normally Closed
Pneumatic connection	¼" BSP
Solenoid actuation	24v DC, 2W coil DIN connector
Operational temperature range	-25°C to 60°C
Operating pressure	6-7 bar
Flow	¼ - 700 L/min @ 6 bar
Material	Aluminium anodized

### Solenoid Valve Details

Inlet pressure connects to port 1 (from selector valve regulator) and the outlet is either port 3 or 5 depending on the state of the electrical input.

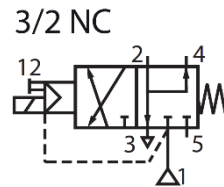


Diagram -  
Fail freeze condition -  
Solenoid Valve Logic